

EVO 28

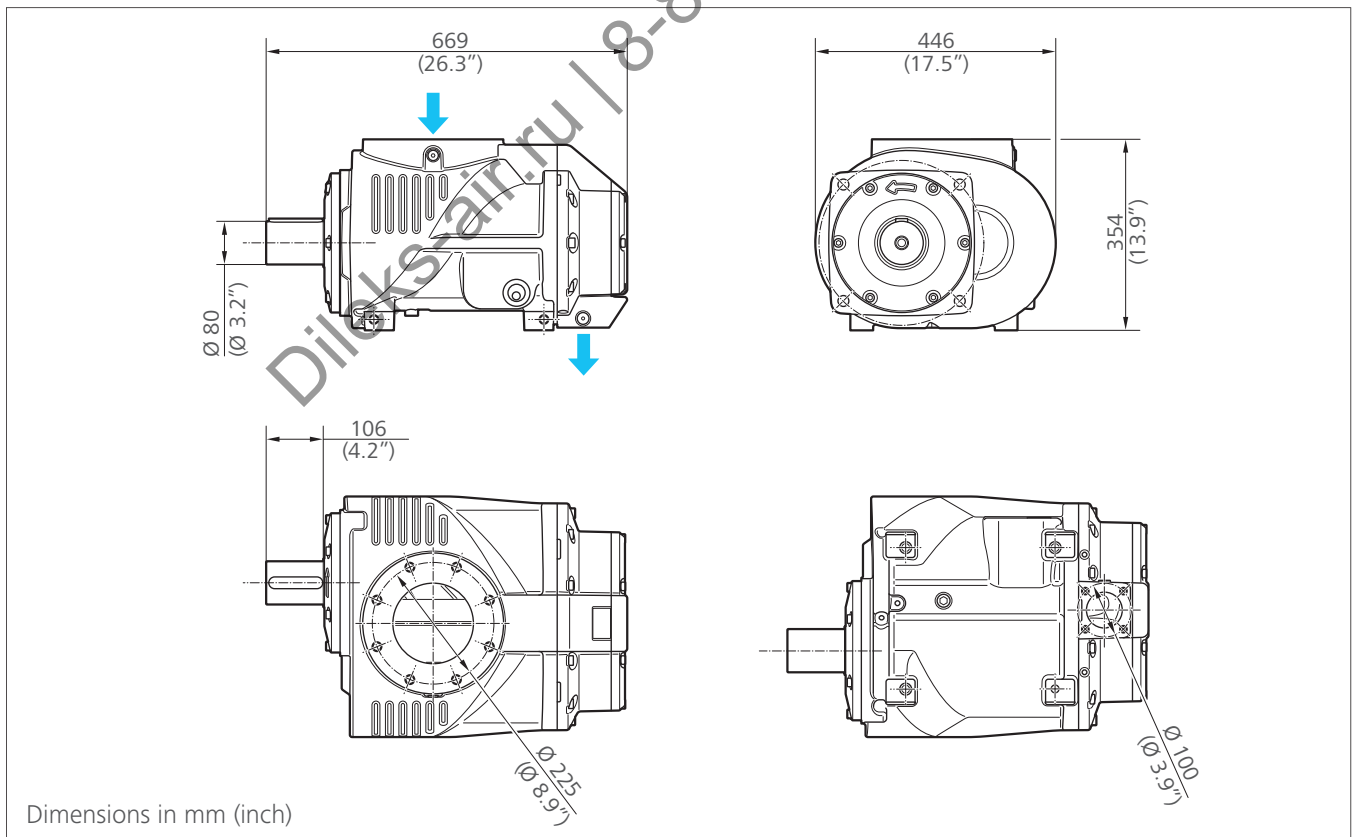
Air end



TECHNICAL SPECIFICATION

- | | |
|---------------------|----------------------------------|
| › Power range up to | 160 kW / 210 HP |
| › Capacity up to | 26 m ³ /min / 920 cfm |
| › Pressure up to | 15 barg / 220 psig |
| › Weight approx. | 269 kg / 593 lbs |

››› Dimensioning

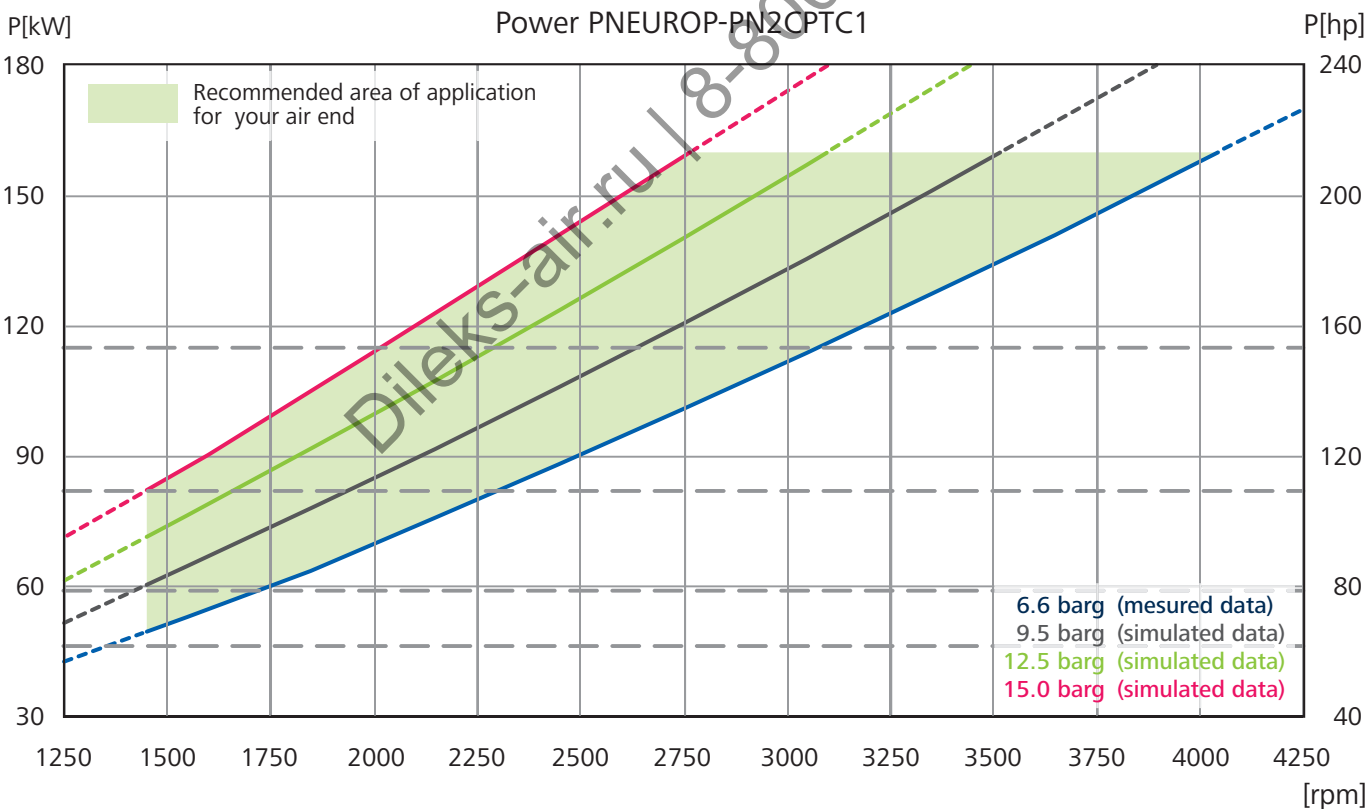
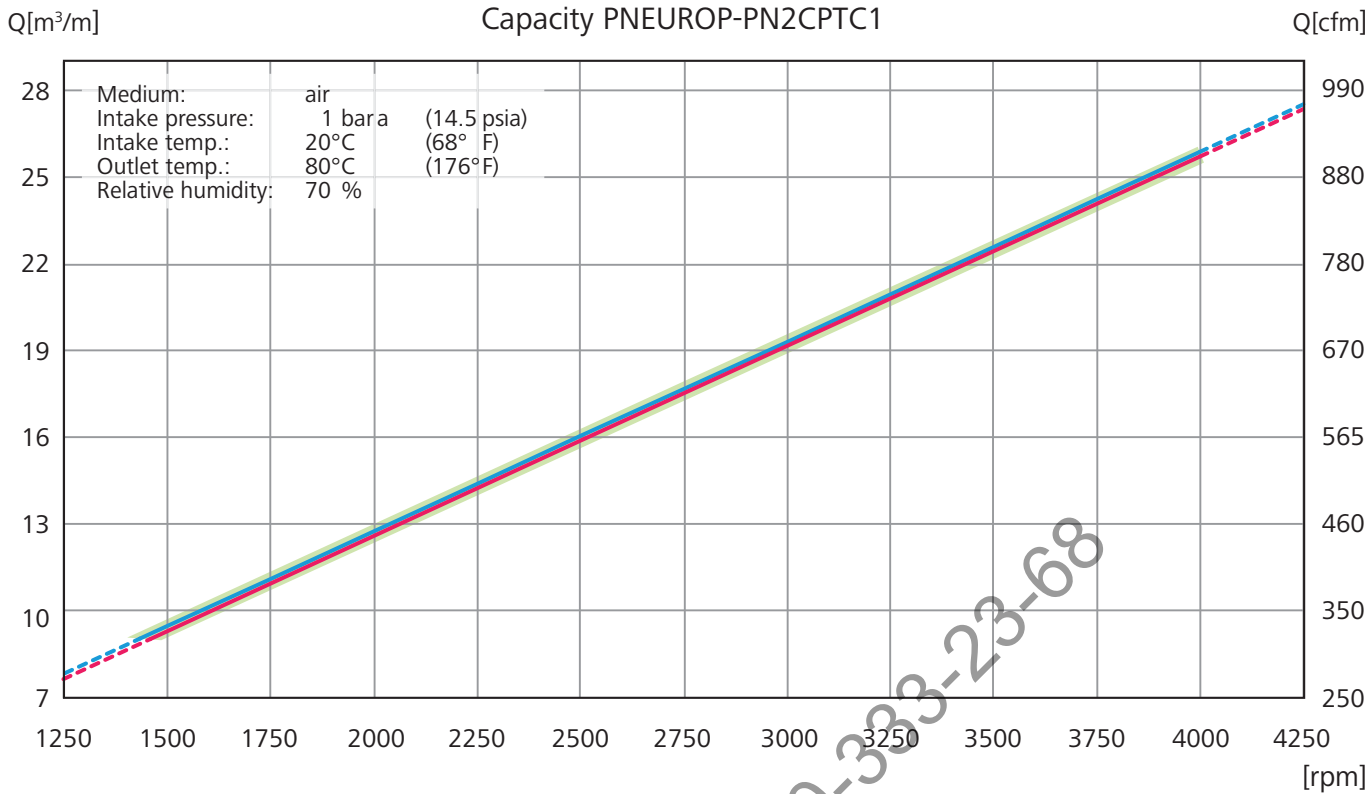


For detailed design, please order the installation drawing/3d model.

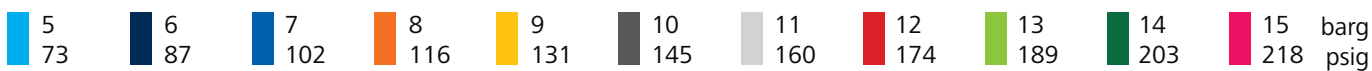
Technical modifications and errors excepted!
© 2013 ROTORCOMP®, Germany



Performance Data



— Typical motor characteristic lines



Technical modifications and errors excepted!
 © 2013 ROTORCOMP®, Germany

www.rotorcomp.de

DILEKS.RU | DILEKS-AIR.RU